

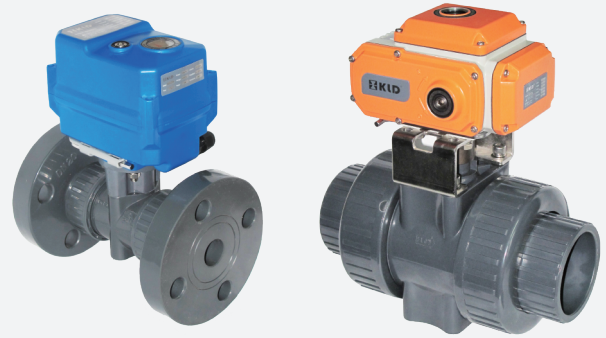
Double Union Ball Valve Features

- Thread, socket and Flange is optional
- Adopting circular arrow mark, the pointer can indicate valve position accurately.
- Plastic outer shell has high performance of antiseptis
- Compact size suits for small equipment

Applications

- Acid, alkali and other corrosive meadium
- Environmental protection, low emissions, water supplyand drainage, water treatment engineering
- HVAC
- Non-toxic plastic valve can be used in thefood industry
- Particularly suitable for CLO₂, O₃ system

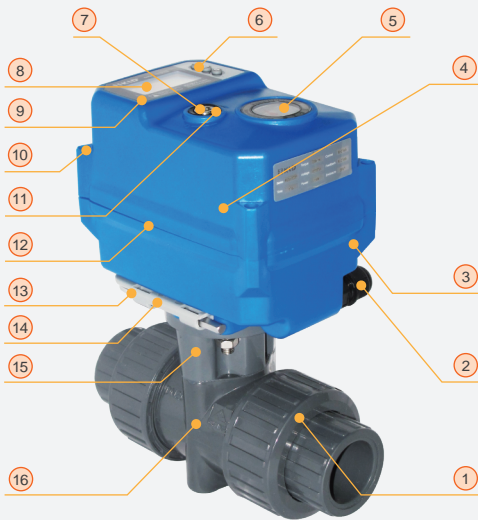
Certification:CE, , ISO9001, MA, AL



200N normal on/off model

500N normal on/off model

200C Smart Double Union Ball Valve Main Components Diagram

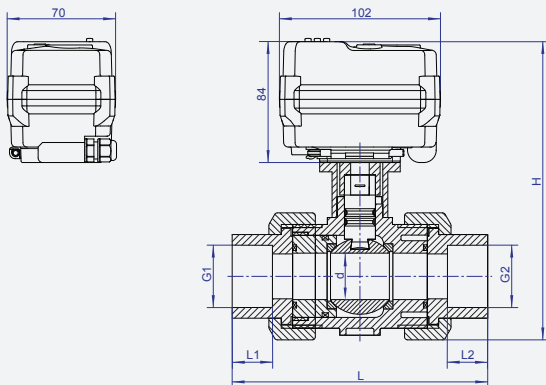


Main Components

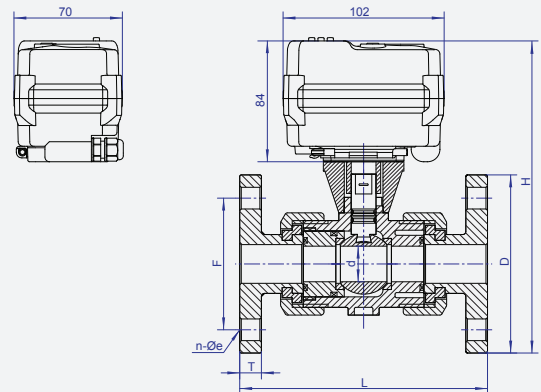
No.	Parts	Material	Qty
1	Union	UPVC/CPVC	2
2	Cable connector	Nylon/Nickel-plated brass	1
3	Bottom cover	Heatproof ABS/Casting aluminum	1
4	Top cover	Heatproof ABS/Casting aluminum	1
5	Indicator	Transparent AS	1
6	Key ※	Rubber	3
7	Oil seal	NBR	1
8	Screen ※	OLED	1
9	Label	PVC	1
10	Screws	304	4
11	Manual shaft	304	1
12	Lid seal	SI	1
13	Hexagon Wrench	Tool steel	1
14	Wrench fixed	Heatproof ABS	1
15	Bracket	PA66+33%GF/PC+33%GF	1
16	Valve body	UPVC/CPVC	1

※ Normal on/off model no key and 1.3-inch OLED screen.

Dimension 【200C, DN15-DN50, Thread/Socket】



Dimension 【200C, DN15-DN50, Flange】



Connection Size (unit: mm)

DN	d	L1=L2		G1=G2				L		D		F		n-Φe		T	H			W(Kg)	
		Thread/Socket		Thread		Socket		Thread/Socket		Flange		Flange		Flange		Flange	Thread/Socket				
		GB	ANSI	GB	ANSI	GB	ANSI	GB/ANSI	GB	ANSI	GB	ANSI	GB	ANSI	GB/ANSI	GB/ANSI	GB	ANSI	GB		ANSI
DN15	13	16	22.22	G1/2"	NPT G1/2"	20.3	21.54	112	130	143	95	89	65	60	4-14	4-16	13	150.0	175.0	172.0	
DN20	18	19	25.40	G3/4"	NPT G3/4"	25.3	26.87	132	150	172	105	98	75	70	4-14	4-16	14	165.0	190.0	186.5	
DN25	23	22	28.58	G1"	NPT G1"	32.3	33.65	144	160	187	115	108	85	79	4-14	4-16	14	183.0	207.5	204.0	
DN32	30	26	31.75	G1-1/4"	NPT G1-1/4"	40.3	42.42	165	180	190	140	117	100	89	4-18	4-16	16	198.5	227.5	216.0	
DN40	38	31	34.93	G1-1/2"	NPT G1-1/2"	50.3	48.56	171	200	212	150	127	110	98	4-18	4-16	16	217.5	243.5	232.0	
DN50	48	38	38.10	G2"	NPT G2"	63.3	60.63	200	230	234	165	152	125	121	4-18	4-19	16	244.5	267.0	260.5	

※ BSPT and RC is optional. Please specify in orders.

Qinhuangdao YDKL Valve (plastic) Main Size (unit: mm)

DN	d	L1=L2		G1=G2		L	H	W(Kg)
		Thread	Socket	Thread	Socket			
DN15	12.8	16	22.5	G1/2"	20.1	120	139.25	
DN20	19.0	18	25.0	G3/4"	25.1	135	153.25	
DN25	24.5	22	27.5	G1"	32.1	150	161.50	
DN32	30.0	25	31.5	G1-1/4"	40.1	167	177.25	
DN40	38.0	27	34.0	G1-1/2"	50.1	178	194.50	
DN50	49.0	31	38.0	G2"	63.1	204	216.80	

500C Smart Double Union Ball Valve Main Components Diagram

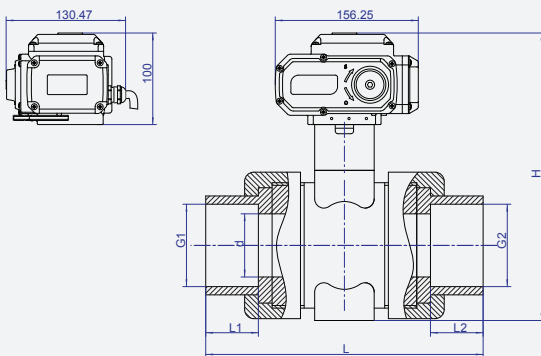


Main Components

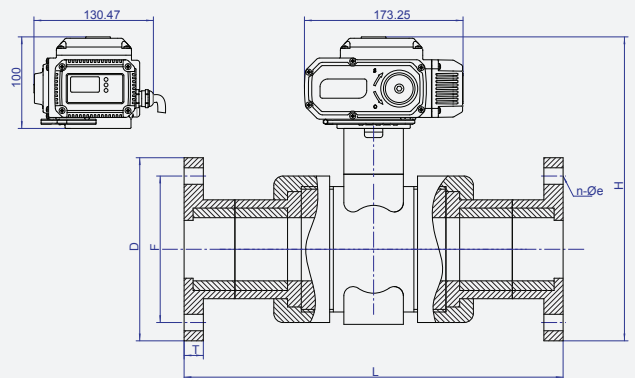
No.	Parts	Material	Qty
1	Union	UPVC	2
2	Terminal block	Heatproof ABS	1
3	Label	PVC	1
4	Key ※	Rubber	3
5	Screen ※	OLED	1
6	Screws	304	17
7	Indicator	Tempered glass	1
8	Actuator	Casting aluminum	1
9	Manual shaft	304	1
10	Oil seal	NBR	1
11	Bracket	304	1
12	Hexagon wrench	Tool steel	1
13	Valve body	UPVC	1

※ Normal on/off model no key and 1.3-inch OLED screen.

Dimension 【500N, DN65/DN80, Thread/Socket】



Dimension 【500C, DN65/DN80, Flange】

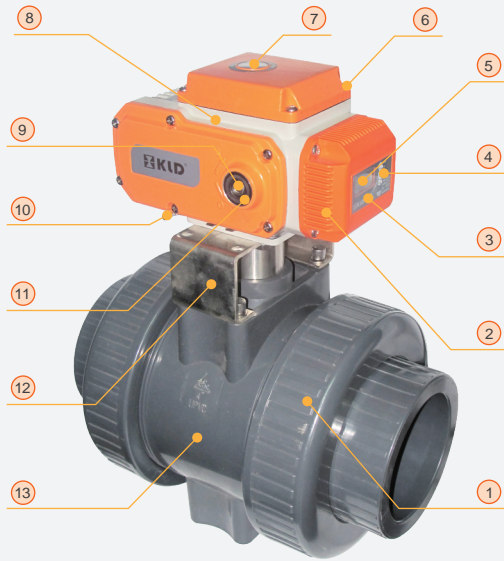


Connection Size (unit: mm)

DN	d	L1=L2		G1=G2				L		D	F	n-Φe	T	H		W(Kg)
		Thread/Socket		Thread		Socket		Thread/Socket	Flange	Flange	Flange	Flange	Flange	Thread/Socket	Flange	
		GB	ANSI	GB	ANSI	GB	ANSI									
DN65	61	46	44.45	G2-1/2"	NPT G2-1/2"	75	72.85	275.0	371	183	145	4-18	19	297	315	
DN80	69	51	51.30	G3"	NPT G3"	90	88.7	300.5	414	200	160	8-18	21	314	332	

※ BSPT and RC is optional. Please specify in orders.

1000C Smart Double Union Ball Valve Main Components Diagram

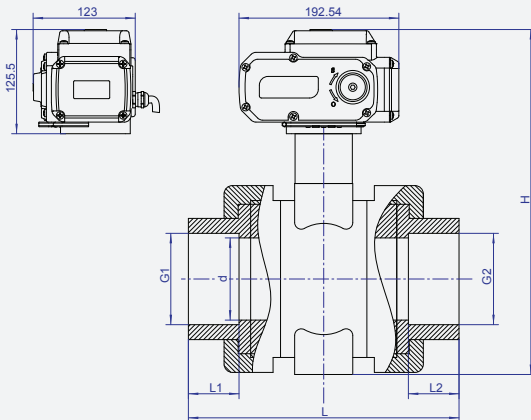


Main Components

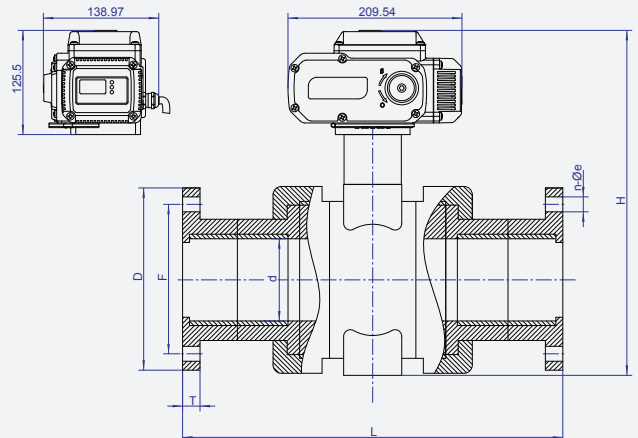
No.	Parts	Material	Qty
1	Union	UPVC	2
2	Terminal block	Heatproof ABS	1
3	Label	PVC	1
4	Key ※	Rubber	3
5	Screen ※	OLED	1
6	Screws	304	17
7	Indicator	Tempered glass	1
8	Actuator	Casting aluminum	1
9	Manual shaft	304	1
10	Hexagon wrench	Tool steel	1
11	Oil seal	NBR	1
12	Bracket	304	1
13	Valve body	UPVC	1

※ Normal on/off model no key and 1.3-inch OLED screen.

Dimension 【1000N, DN100, Thread/Socket】



Dimension 【1000C, DN100, Flange】



Connection Size (unit: mm)

DN	d	L1=L2		G1=G2				L		D	F	n-Φe	T	H		W(Kg)
		Thread/Socket		Thread		Socket		Thread/Socket	Flange	Flange	Flange	Flange	Thread/Socket	Flange		
		GB	ANSI	GB	ANSI	GB	ANSI									
DN100	99	61	61	G4"	NPT G4"	110	114.07	330	462	219.5	121	8-18	21	414.5	414.5	


※ BSPT and RC is optional. Please specify in orders.

Electrical Parameters

Series type	Rated torque @rated voltage	Rated voltage	Available voltage range	Run/static power consumption @rated voltage	Peak cruent @rated volatage @5ms	External fuse specification	Running time ^{*1} (Per 90°)	Optional control mode	
KLD-200N	15N.m	DC24V	DC22V-28V	36W/0.25W	1.5A	3A	10S@Power up 15S@Power down	KT32 or KT32S	
		AC110V	AC90V-130V	40W/1.6W	90mA	1A			
		AC230V	AC190-250V	40W/1.6W	90mA	1A			
	20N.m	DC12V	DC10-14V	3.5W/0.3W	15W/0.1W	1A	2A	15S	B3 BD3 B3S BD3S
		DC24V	DC22V-28V	50W/1W		1.2A	2A		
		AC24V	AC18V-26V			0.5A	2A		
		AC110V	AC90V-130V			135mA	1A		
AC230V	AC190-250V	60mA	1A						
KLD-500N	50N.m	DC24V	DC22V-28V	60W/1.5W	2.5A	5A	10S	B3S BD3S	
		AC24V	AC22V-28V	50W/1W	3A	5A	20S		
		AC110V	AC90V-130V		1A	2A			
		AC230V	AC190-250V		0.5A	2A			
KLD-1000N	100N.m	DC24V	DC22V-28V	60W/1W	3.5A	5A	10S	B3S BD3S	
		AC24V	AC22V-28V	80W/1W	3.5A	5A	30S		
		AC110V	AC90V-130V		1.5A	3A			
		AC230V	AC190-250V		0.6A	2A			
KLD-2000N	200N.m	DC24V	DC22V-28V	180W/1W	4A	10A	10S	B3S BD3S	
		AC110V	AC90V-130V	150W/1W	2A	5A	30S		
		AC230V	AC190-250V		1A	5A			
KLD-4000N	400N.m	DC24V	DC22V-28V	240W/1W	5A	10A	10S	B3S BD3S	
		AC110V	AC90V-130V	200W/1W	2.5A	5A	30S		
		AC230V	AC190-250V		2A	5A			

* Since the running time is affected by the valve body, it is considered to be qualified within $\pm 3s$.

Function Parameters

The valve ball rotation Angel	90°
Protection grade	IP67 or F Type
Manual function	Standard (Manual override is only permitted to be used when power is cut)
Indicator	

Working Conditions

Ambient temperature	-20 —60
Ambient humidity	Relative humidity \leq 85% ---- Suitable for IP67
	Relative humidity > 85% ---- Suitable for F Type
Medium temperature	UPVC: 0—45 C CPVC: 0—90 C
Medium pressure	\leq 1.0MPa